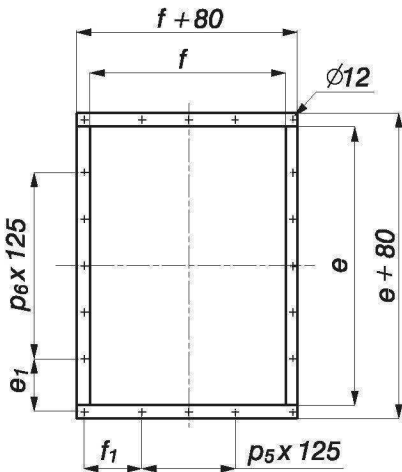
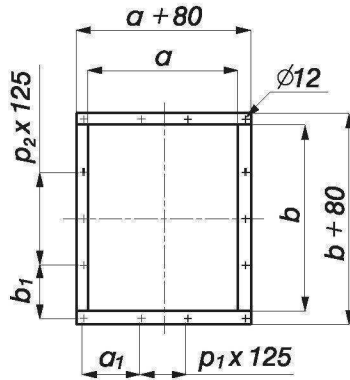


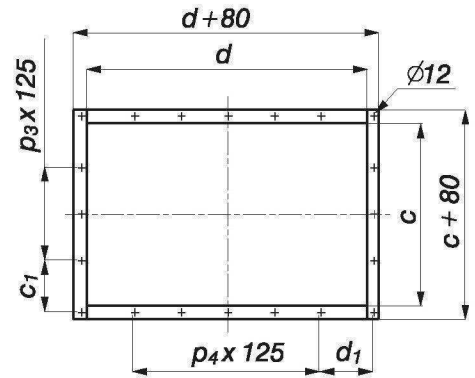
Top inlet flange 1



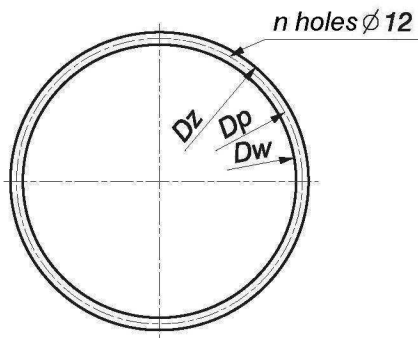
Bottom inlet flange 2



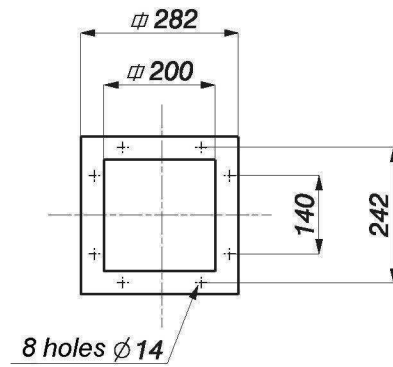
Outlet flange 3



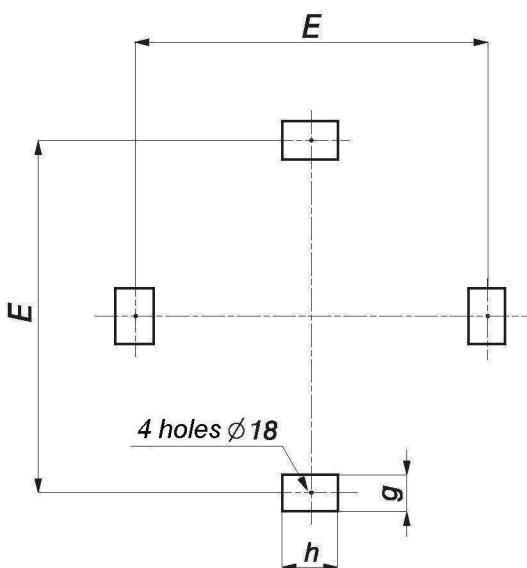
Flange of filter chamber and cleaned air chamber 5



Rotary valve flange 4



Profile of foots of cylindrical bag filters in version V - X



Profile of foots of cylindrical bag filters in version XI

