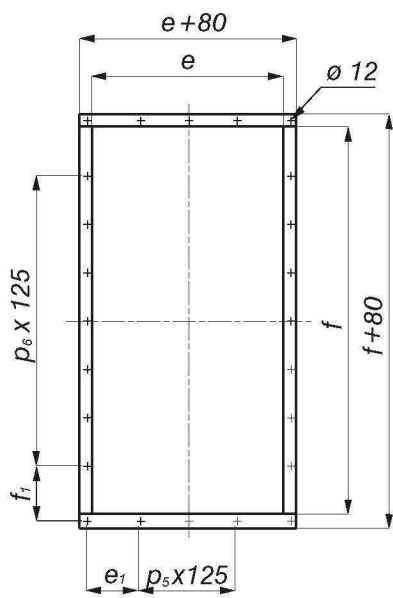
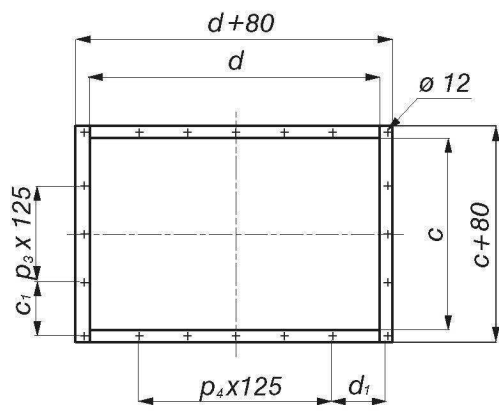


Inlet flange 1



Outlet flange 2



Rotary valve flange 3

