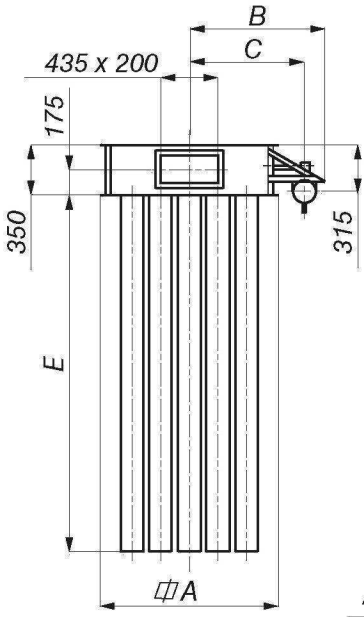


ZF-101 ÷ 107

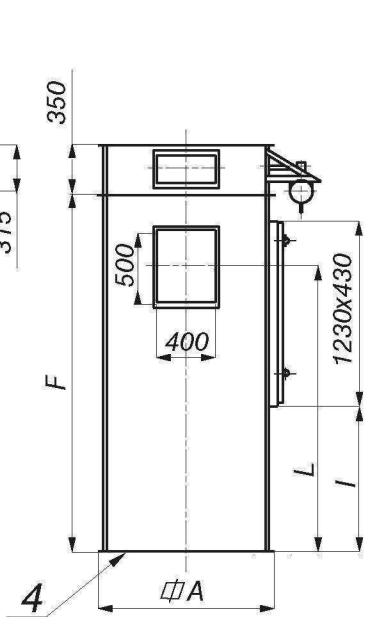
ZF-201 ÷ 207

ZF-301 ÷ 307

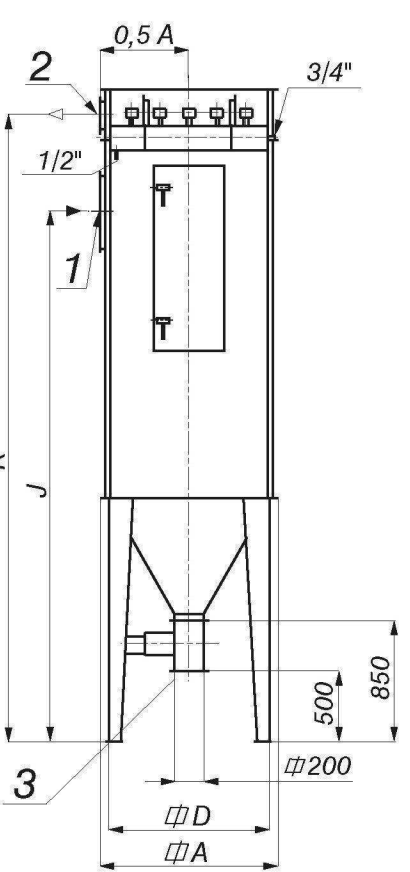
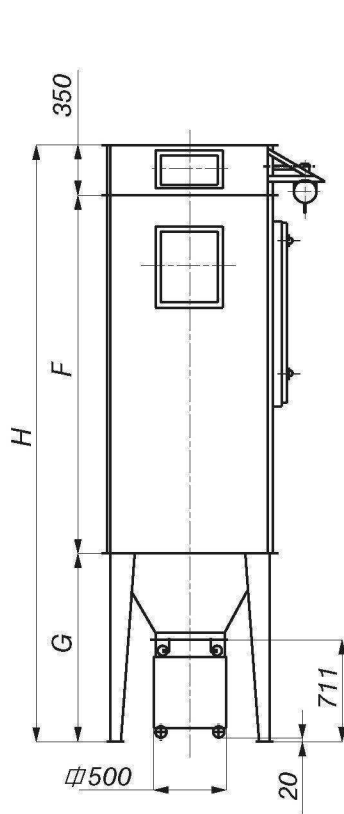
ZF-401 ÷ 407



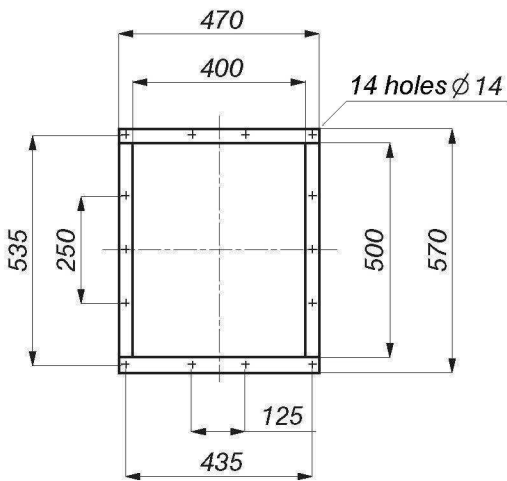
Inlet flange 1



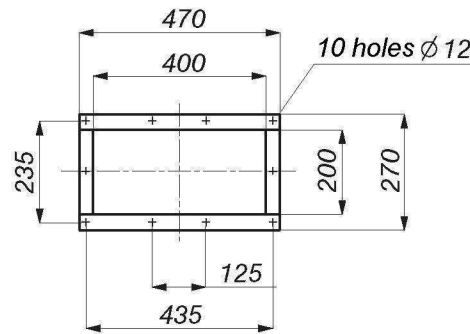
Outlet flange 2



Rotary valve flange 3



Flange of filter chamber 4



Profile of foots of filter

