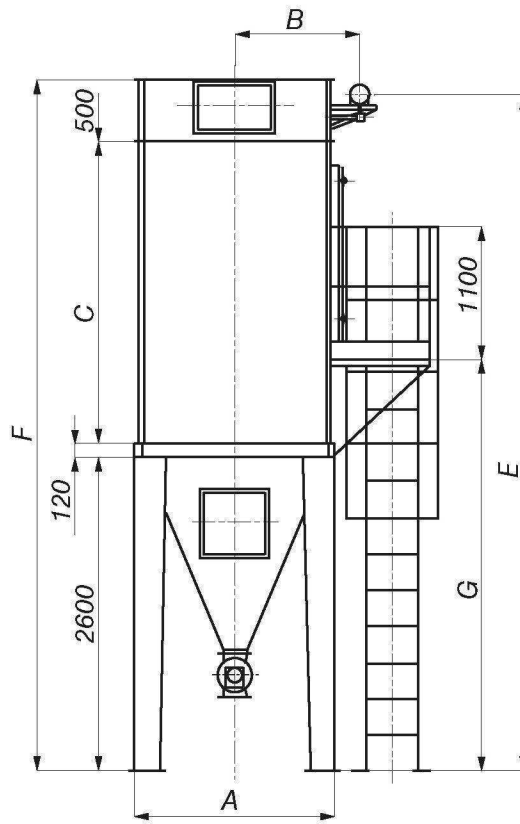
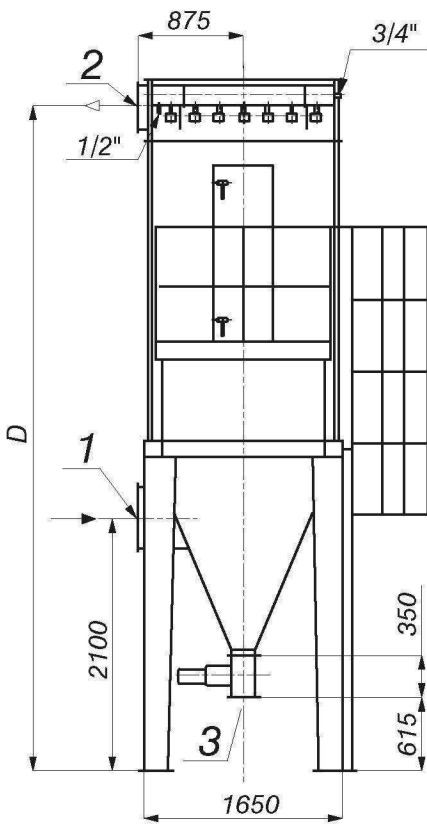
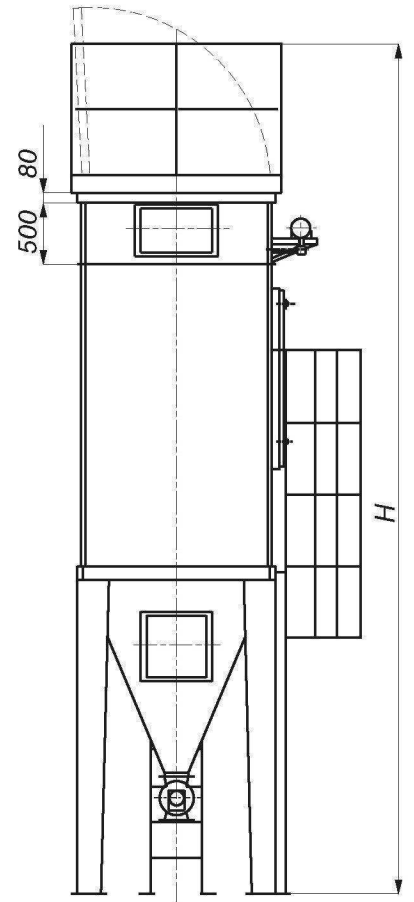


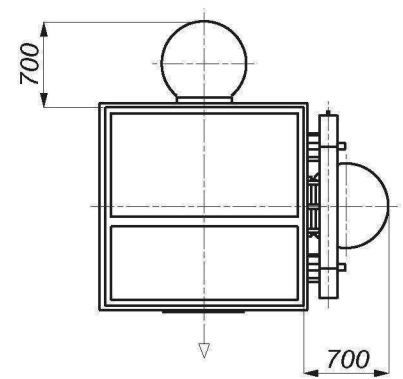
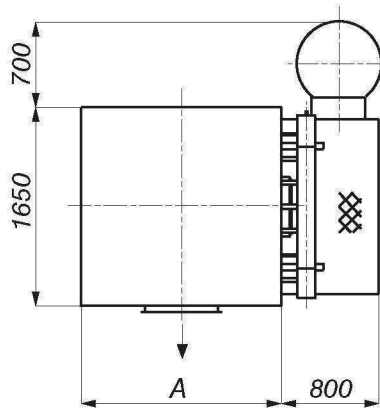
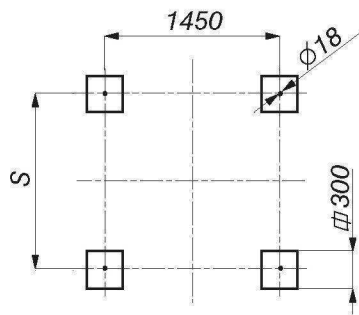
The filter bags replaceable from the bottom of filter



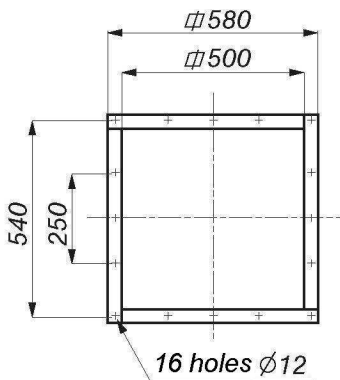
The filter bags replaceable from the top of filter



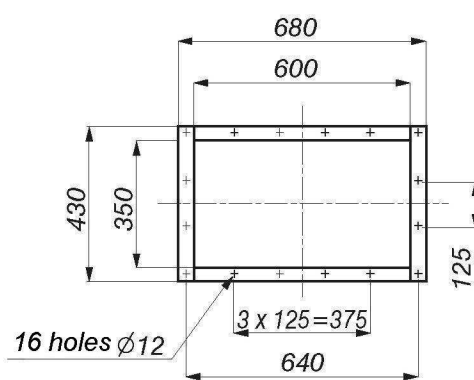
Profile of foots of filter



Inlet flange 1



Outlet flange 2



Rotary valve flange 3

