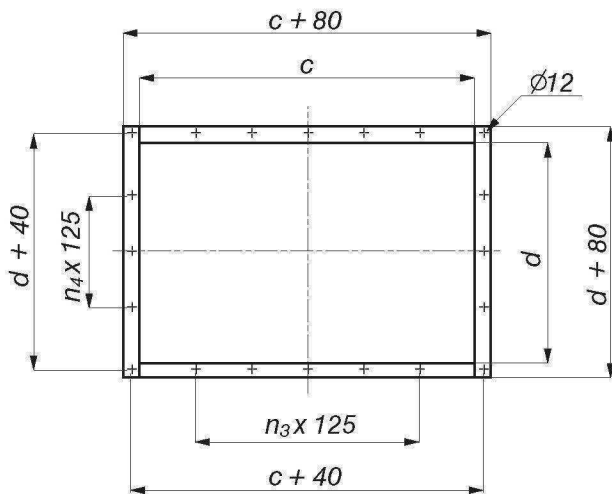
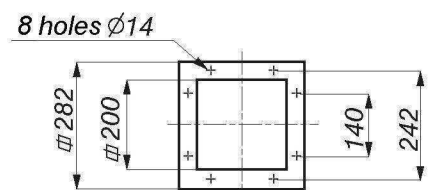


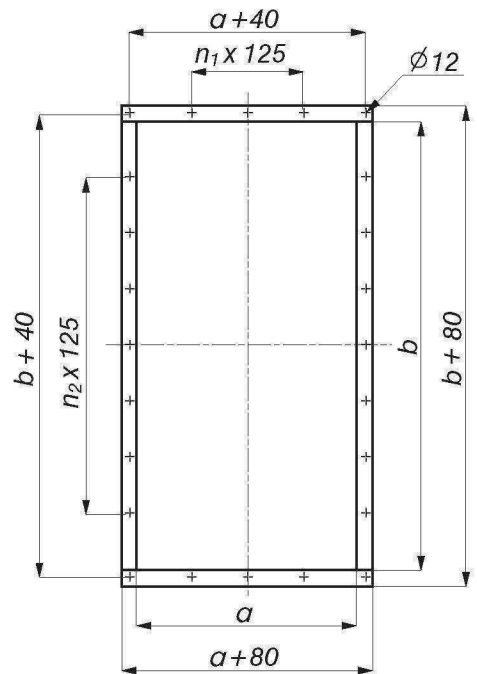
Outlet flange 2



Rotary valve flange 3



Inlet flange 1



Pulse Jet Filter type GF-8x8 ÷ GF-30x8 (single-row)