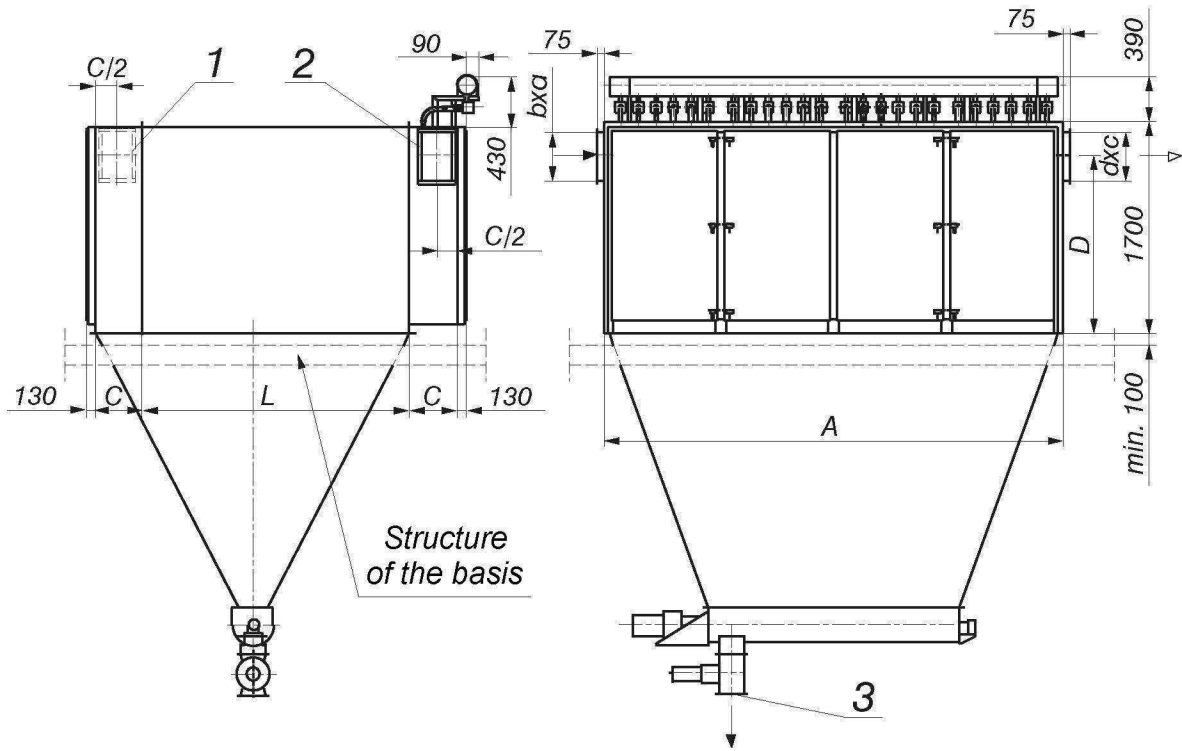
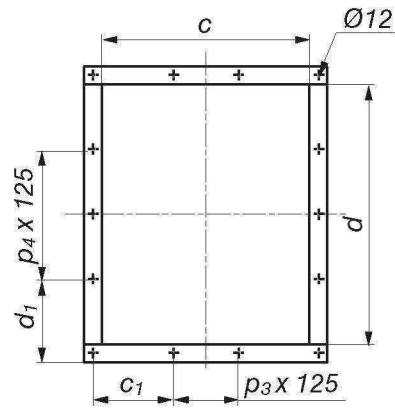
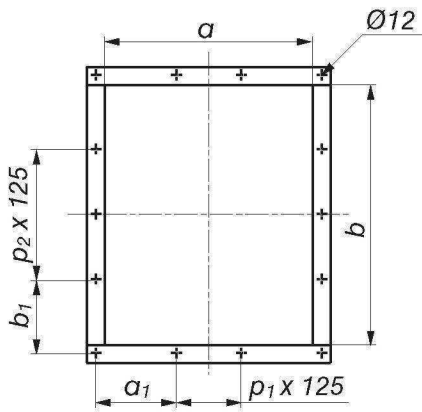


OPTION II



Inlet flange 1

Outlet flange 2



Rotary valve flange 3

